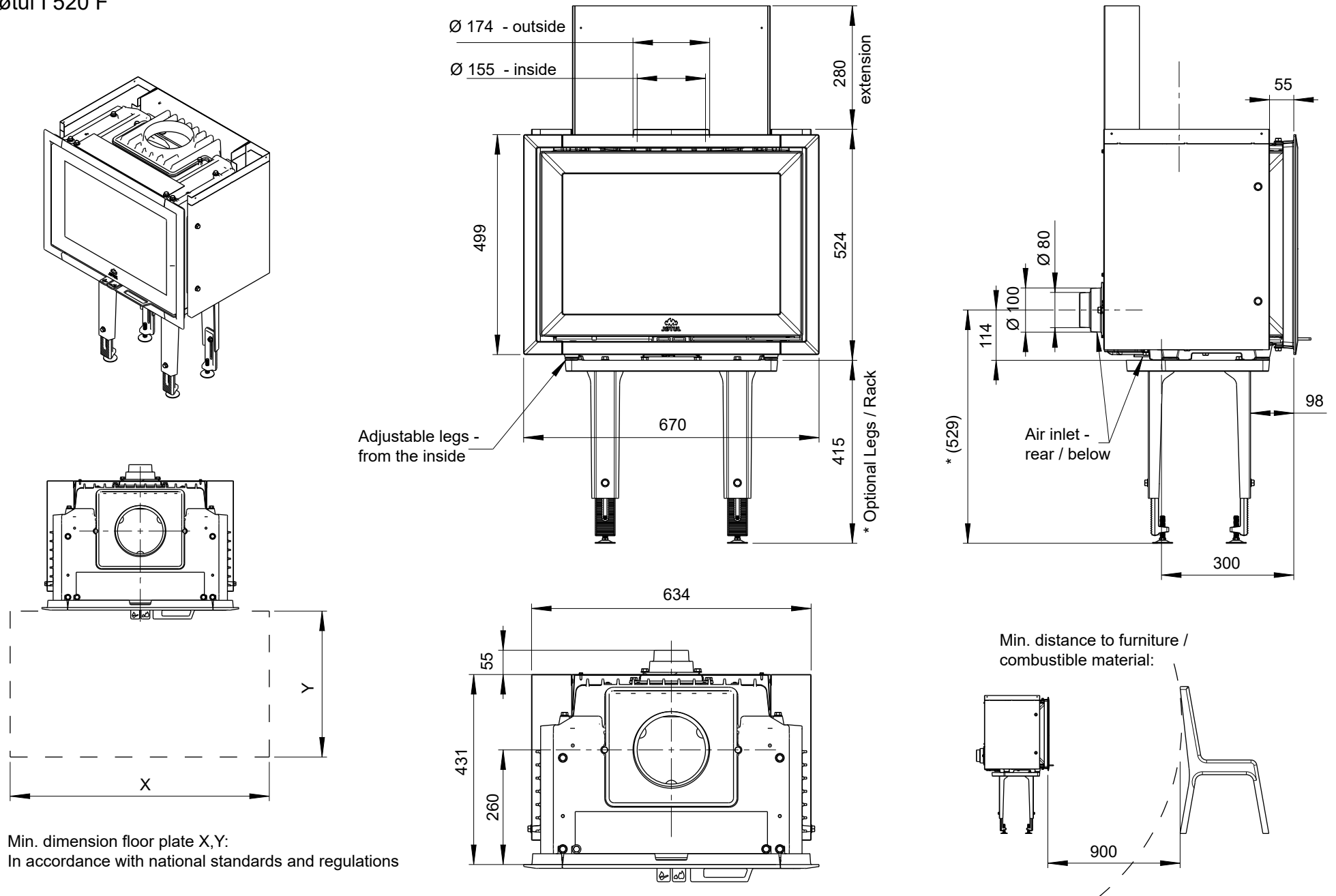


Fig. 1 a

Product:  
Jøtul I 520 F



Min. dimension floor plate X,Y:  
In accordance with national standards and regulations

Fig. 1 b

Product:

Jøtul I 520 FR

Jøtul I 520 FL

Jøtul I 520 FRL

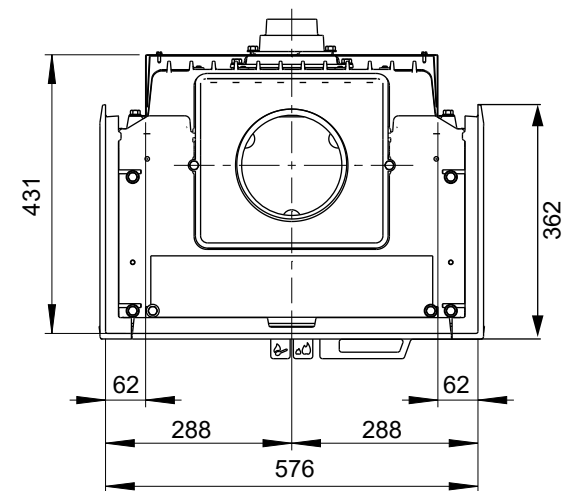
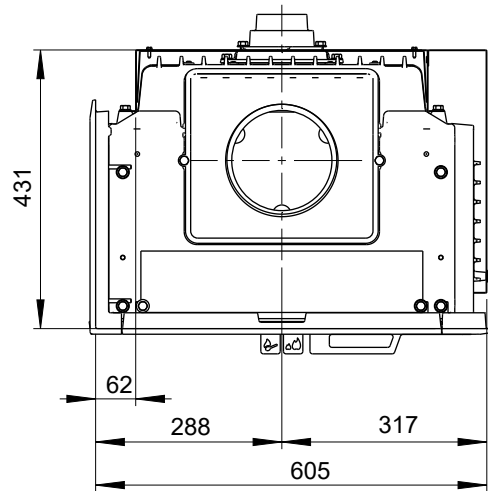
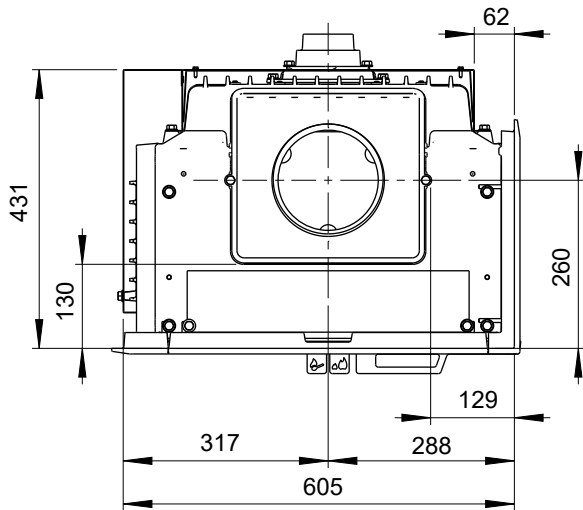
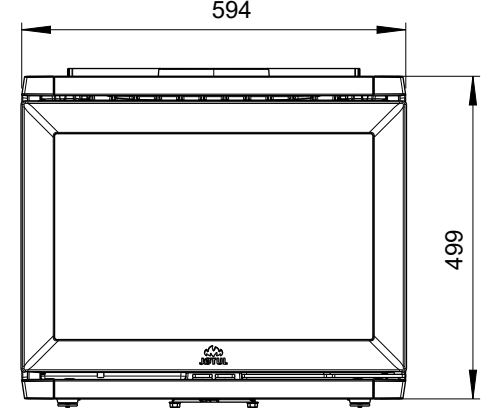
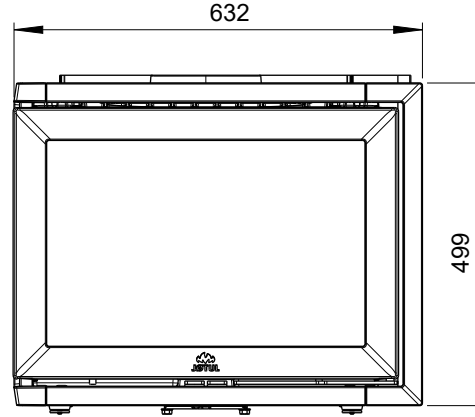
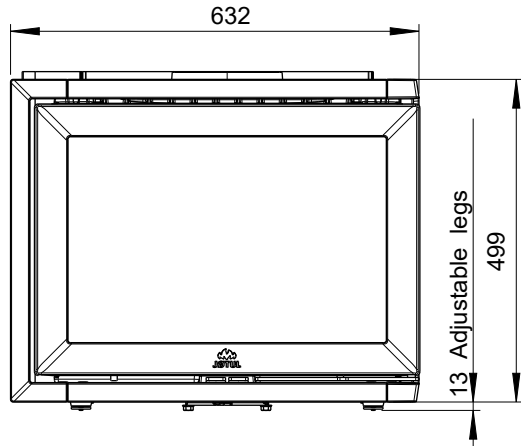
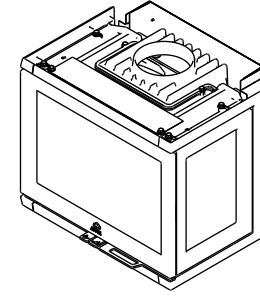
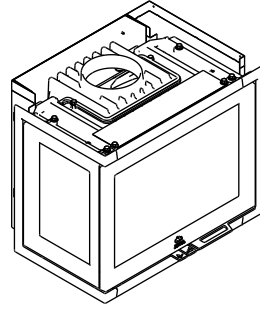
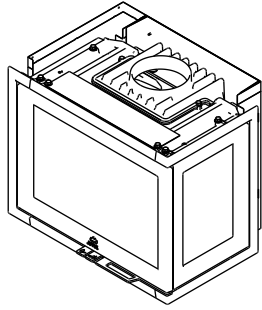
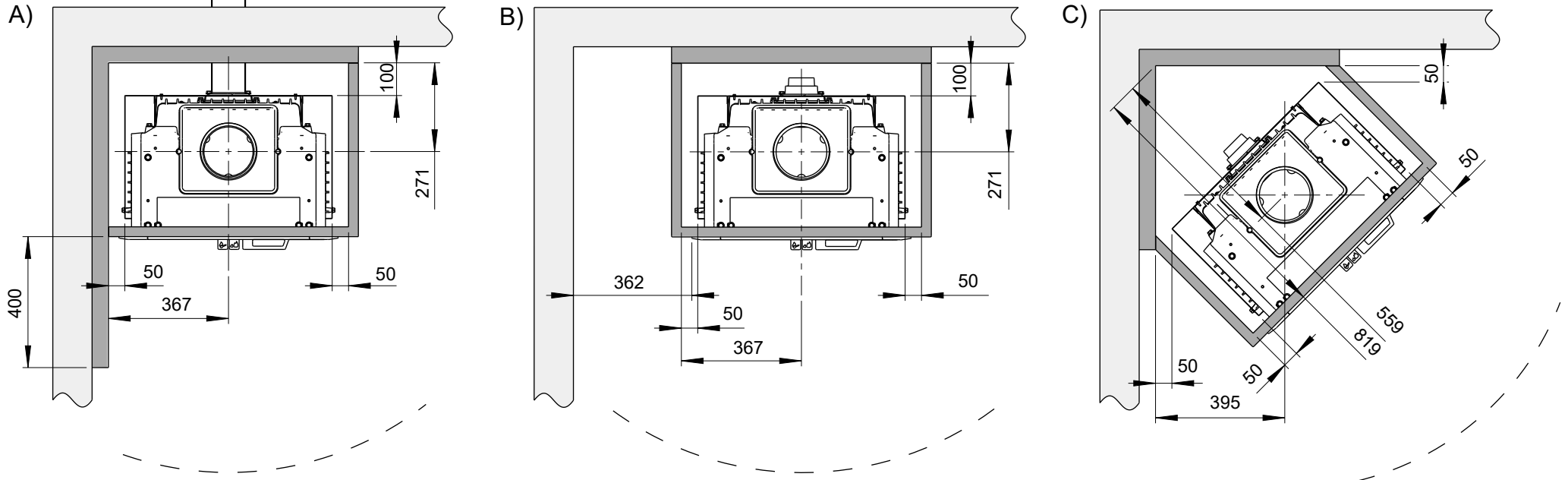


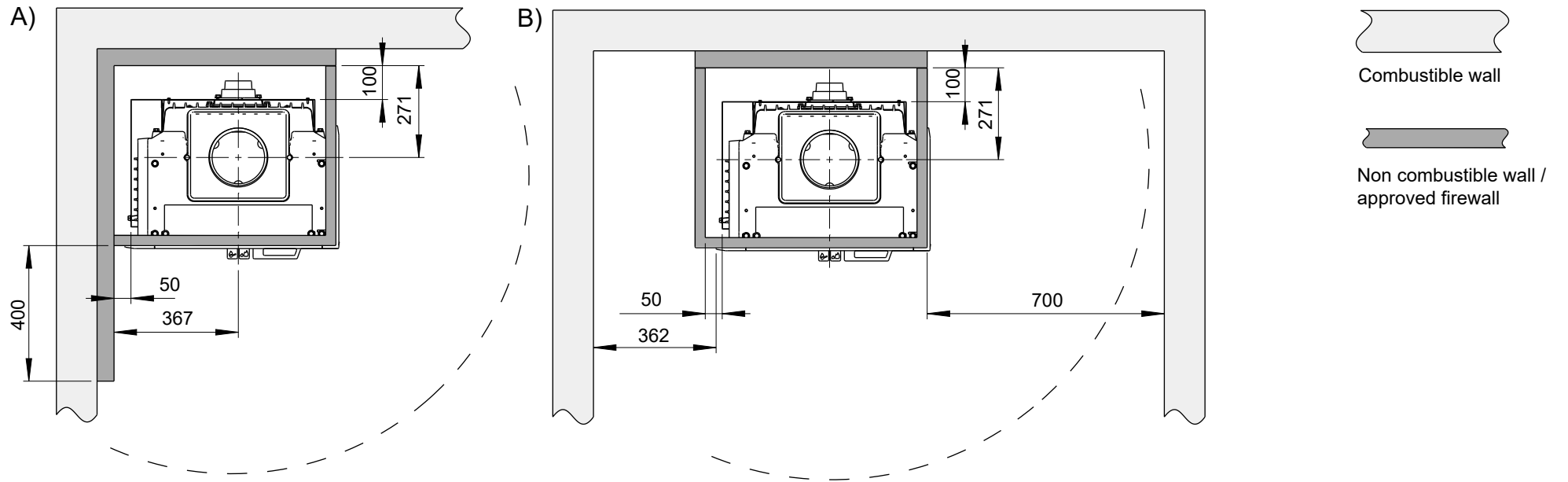
Fig. 1 c

Jøtul I 520 F

Min. distance to combustible wall protected by approved firewall



Jøtul I 520 FR:



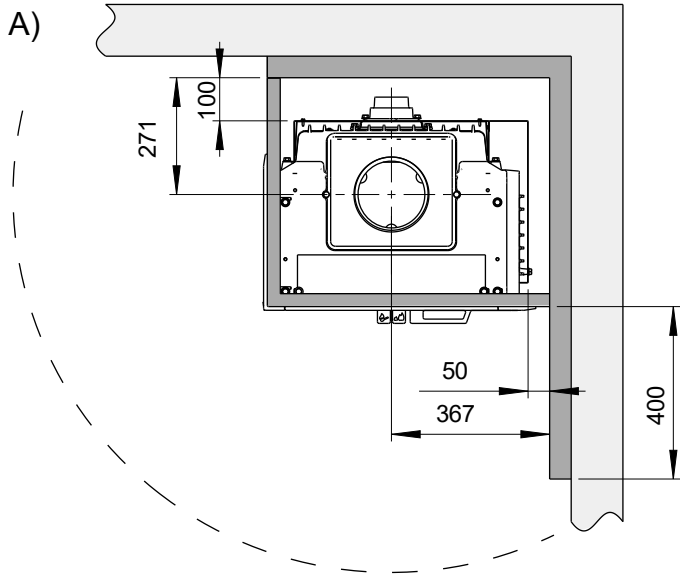
NB ! Min. distances provide semi-insulated chimney or shielded flue pipe down towards the product.

Fig. 1 d

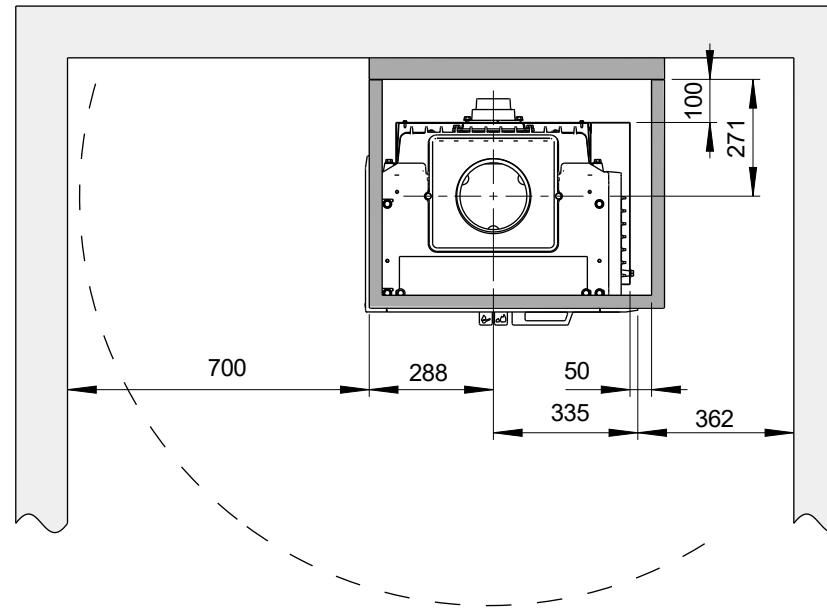
Jøtul I 520 FL

Min. distance to combustible wall protected by approved firewall

A)

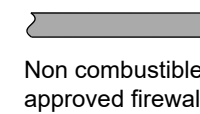
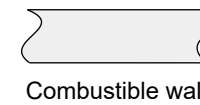
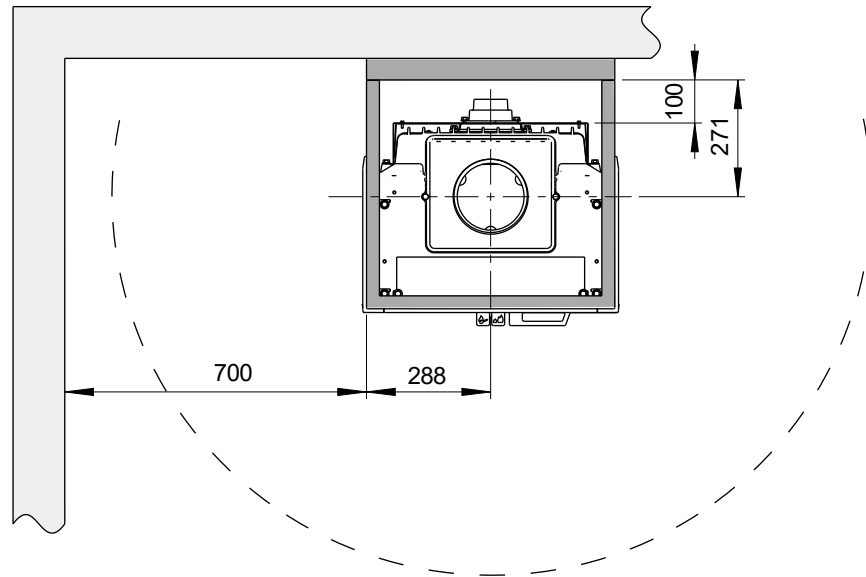


B)



Jøtul I 520 FRL

C)

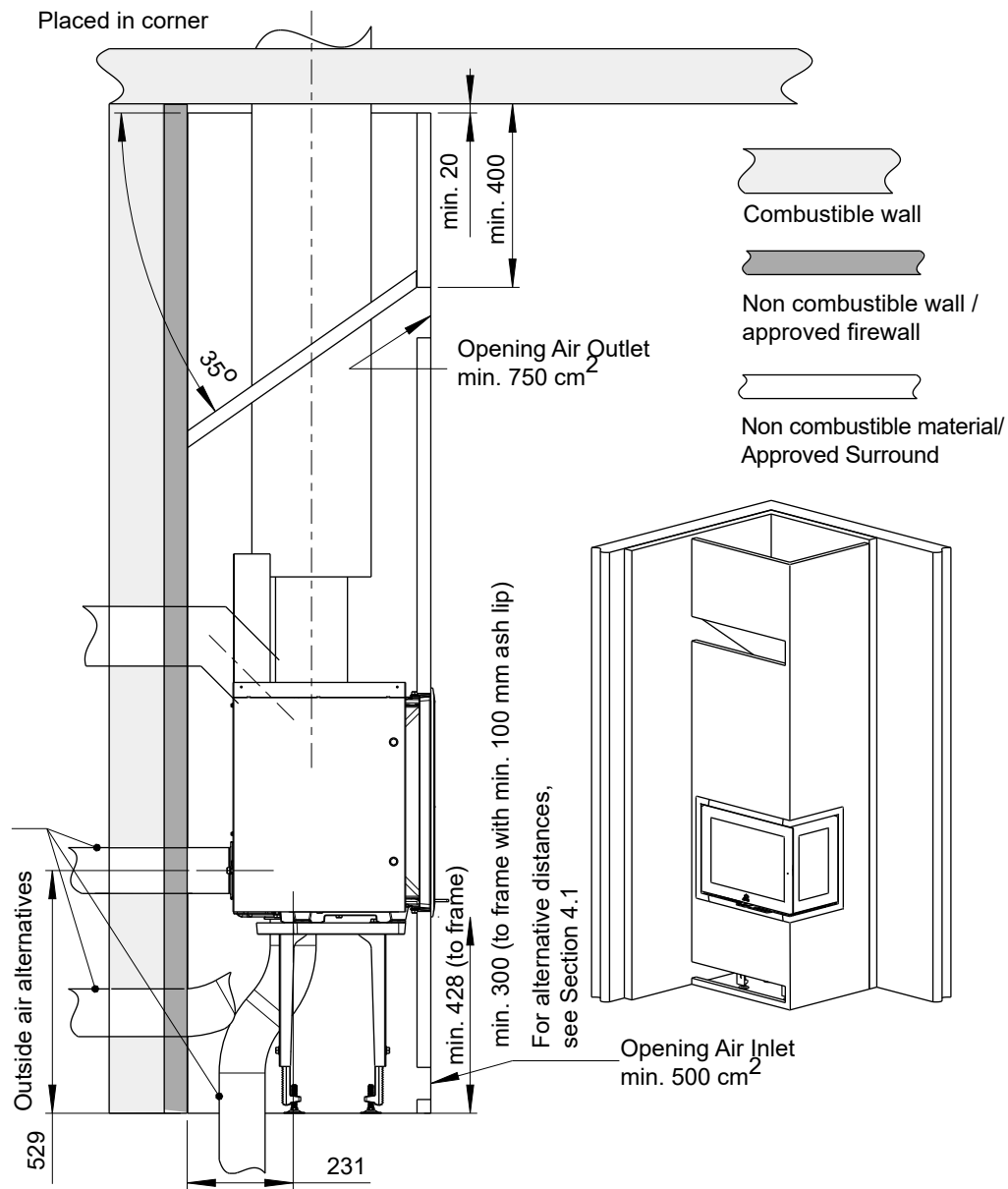


NB! Min. distances provide semi-insulated chimney or shielded flue pipe down towards the product.

Fig. 1 e

Min. distance to combustible ceiling / floor  
 Jøtul I 520 F / I 520 FR / I 520 FL - alt. A), C)

Placed in corner



NB! Min. distances provide semi-insulated chimney or shielded flue pipe down towards the product.

Fig. 1 f

Min. distance to combustible ceiling / floor  
 Jøtul I 520 F / I 520 FR / I 520 FL / I 520 FRL - alt. B)

Placed against straight wall - NB! Not in corner

